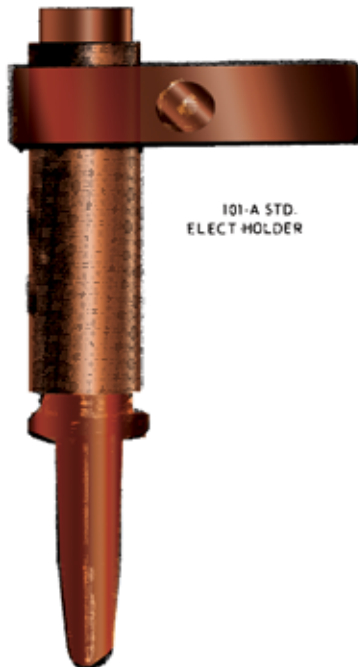
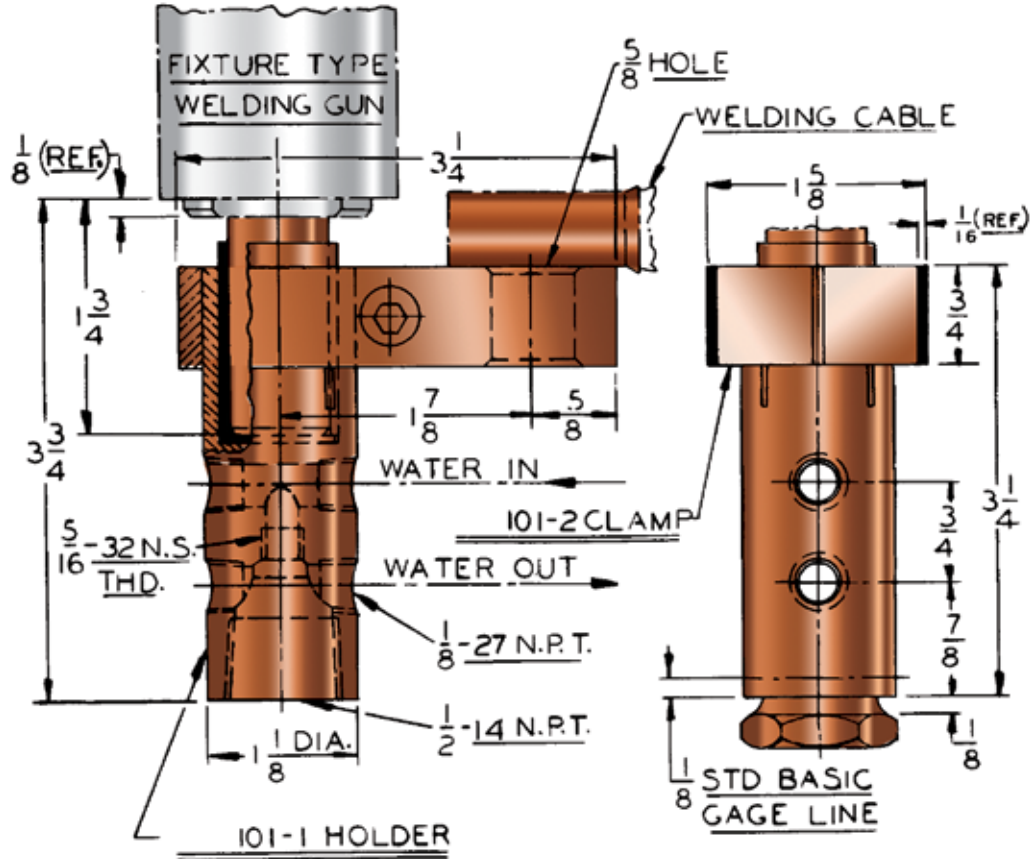




# ELECTRODE HOLDERS FOR SERIES A PISTON ROD ENDS



Stationary Water Tube = WTA 101-L  
[L = length in 1/8" increments]

Sliding Water Tube = HRP 110-L  
[L = length in inches]  
Note: HRP 110 is 4.5" long.

THE 101A HOLDER ASSEMBLY IS ILLUSTRATED, HOWEVER OTHER VARIATIONS ON THIS STYLE ARE AVAILABLE WHICH INCLUDE LONGER BARREL, LARGER BARREL, LARGER CLAMP AND LARGER PIPE THREAD SIZE.